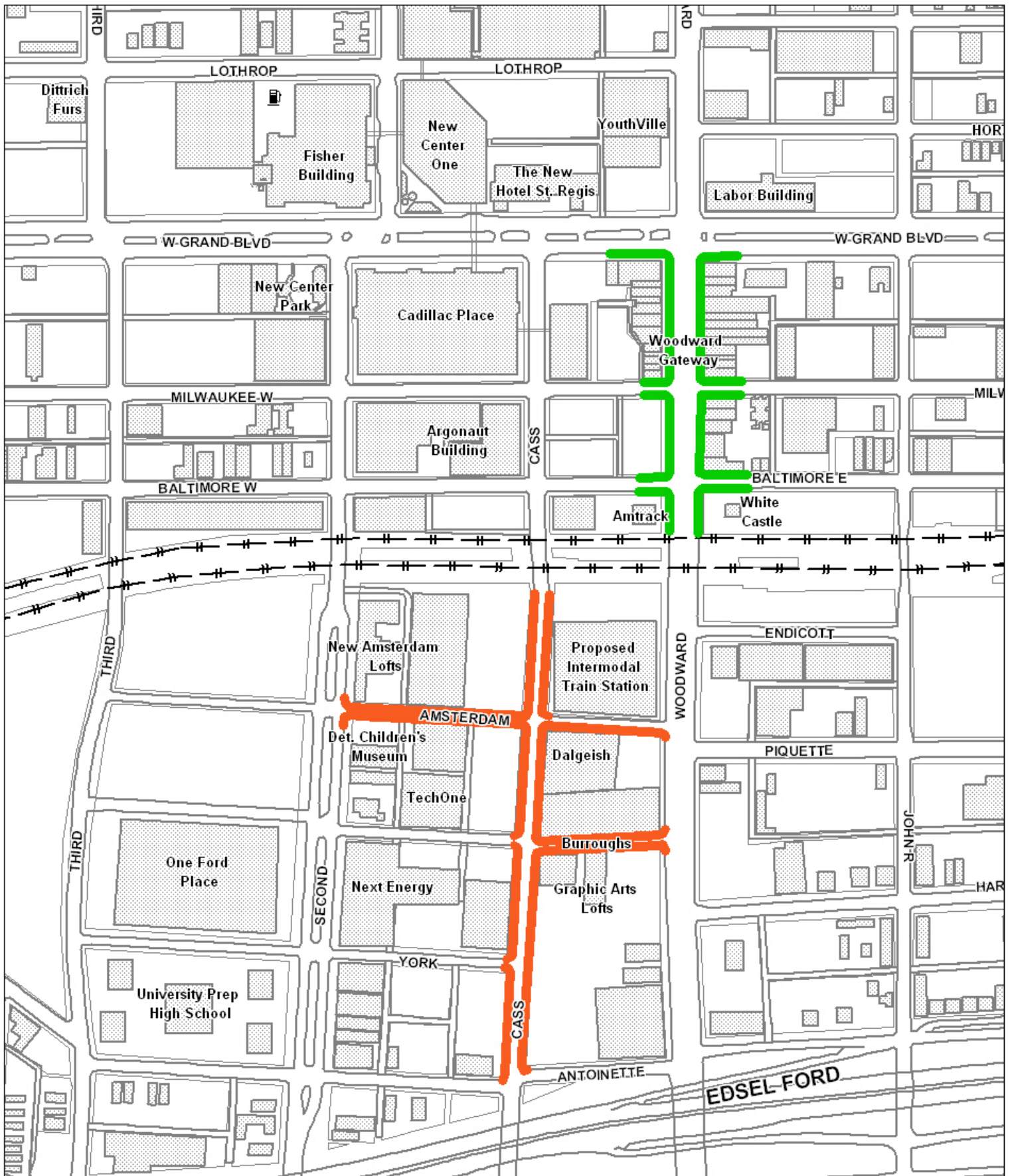




Above: New streetscape installed along Cass Avenue in 2006.

Right: Photo of brickwork installed along Woodward Avenue in 2006.



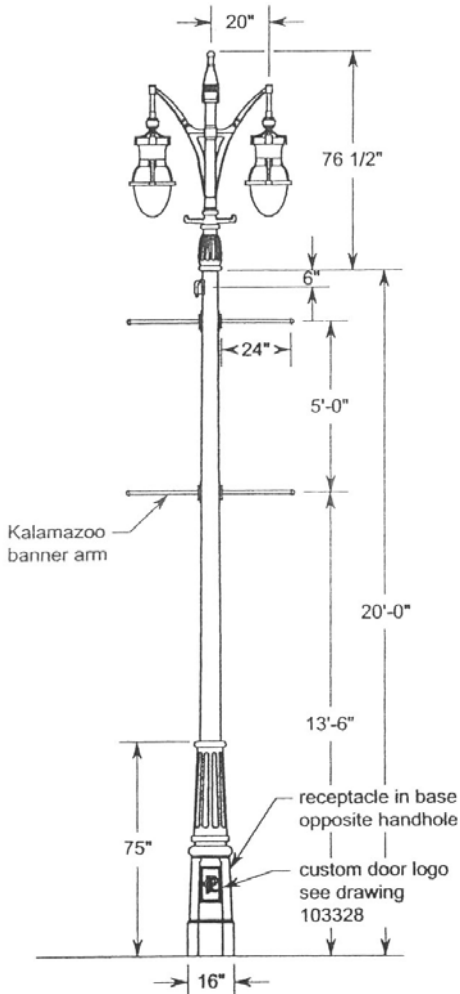


Dec 2003
 New Center
 Council
 K. Gage

- New Amsterdam Streetscape Enhancement Area
- Woodward Gateway Streetscape Enhancement Area



**Ford Field
Cast Iron and Steel Post
16" Square Clamshell Base**



**LANDSCAPE FORMS
PLAINWELL**



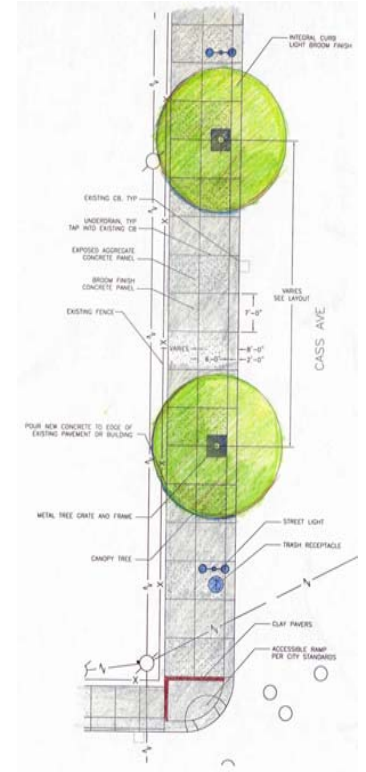
**LANDSCAPE FORMS
SCARBOROUGH**



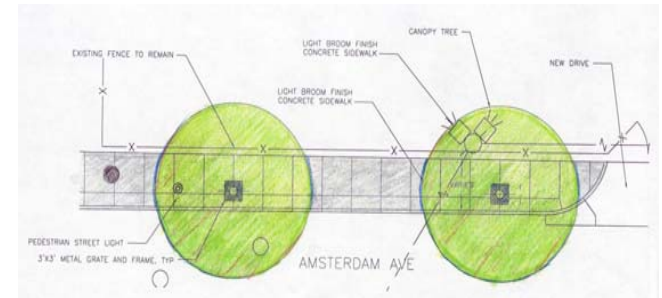
**TYP. MATURE
HONEY LOCUST**



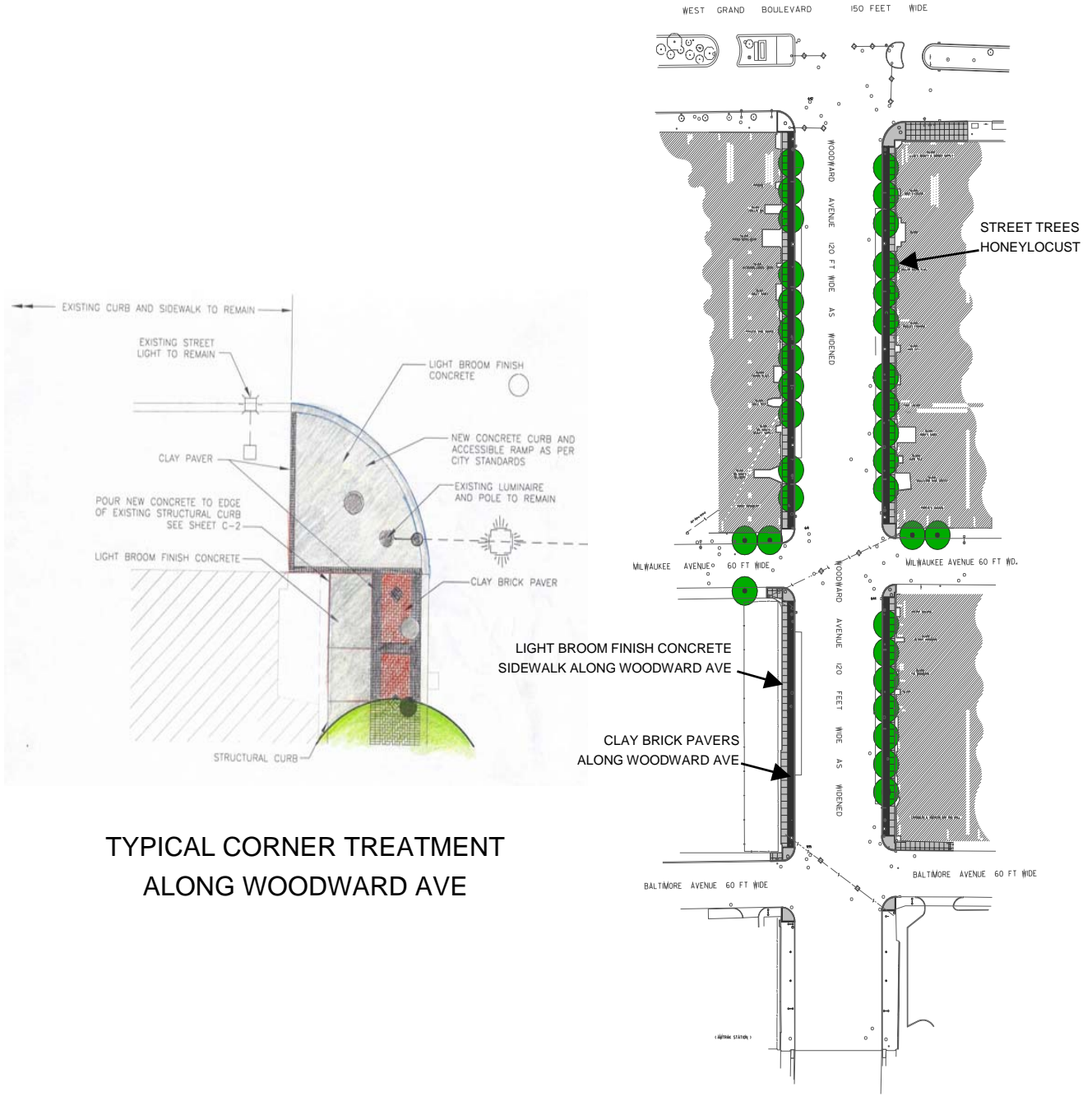
**TYP. MATURE
BLACK LOCUST**



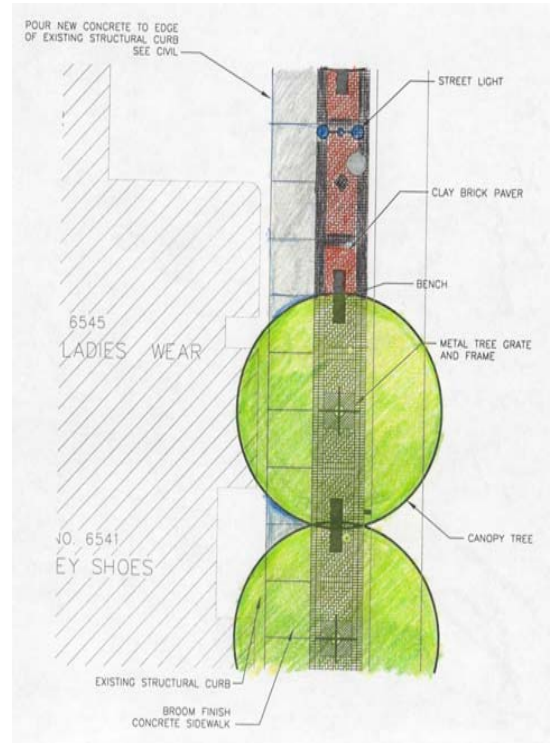
**TYPICAL CORNER TREATMENT
ALONG CASS AVE**



TYPICAL SIDEWALK TREATMENT



TYPICAL CORNER TREATMENT
ALONG WOODWARD AVE



TYPICAL SIDEWALK TREATMENT

AREA OF STREETScape IMPROVEMENTS

